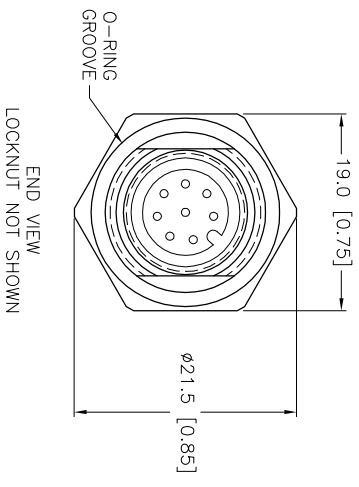
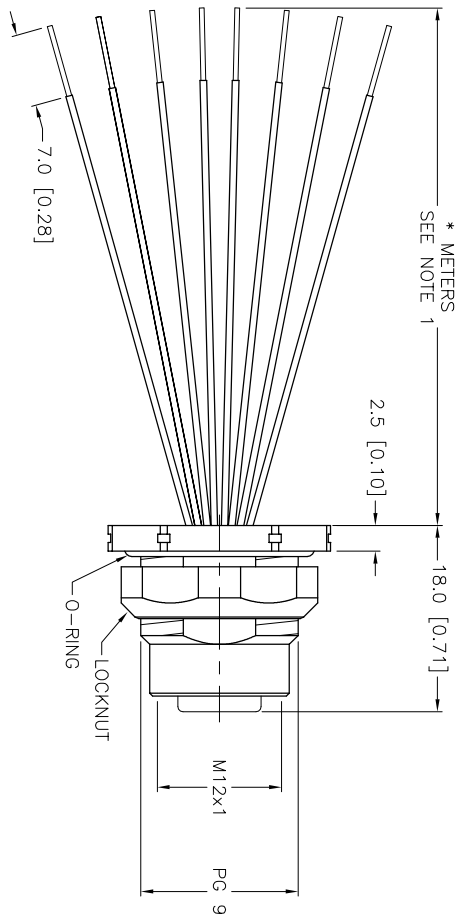


SPECIFICATIONS	
CONTACT CARRIER MATERIAL	NYLON
CONTACT MATERIAL/PLATING	GOLD-PLATED BRASS
RATED CURRENT [A]	2.0 A
RATED VOLTAGE [V]	60 VAC/75 VDC
HOUSING/LOCKNUT MATERIAL	NICKEL-PLATED BRASS
NUMBER OF CONDUCTORS [AWG]	8x24 AWG
TEMPERATURE RATING	-30°C to +80°C (-22°F to +176°F)
PROTECTION CLASS	MEETS NEMA 1,3,4,6P AND IEC IP68
SPACINGS	to VDE 0110 GROUP C



CABLE LENGTH	TOLERANCE
ALL LENGTHS	+ 4% (OR 50mm) OF LENGTH - 0% (OR 0mm) OF LENGTH WHICHEVER IS GREATER
STRIP LENGTH	TOLERANCE
0-7mm	±0.5mm
8-29mm	±1.0mm
30-49mm	±2.0mm
50-69mm	±3.0mm
70-100mm	±4.0mm
OVER 100mm	±5.0mm

NOTES:

1. "\*" INDICATES LEAD LENGTH IN METERS. CONTACT TURCK TO ORDER SPECIFIC LENGTHS.

REV	DESCRIPTION	BY	DATE	ECO NO.
A	DRAWING RELEASE	JBU	02/20/03	

RELATED DOCUMENTS	3RD ANGLE PROJECTION	THIS DOCUMENT IS PROPERTY OF TURCK INC. USE OF THIS DOCUMENT WITHOUT WRITTEN PERMISSION IS PROHIBITED.	DATE: 02/19/03	DESCRIPTION: FKFD 8-*
MATERIAL	TOLERANCES UNLESS OTHERWISE SPECIFIED	DRFT	JBU	SCALE: 1=8
SEE SPECIFICATIONS	0.5 TO 6 ±0.1 6 TO 30 ±0.2 30 TO 200 ±0.3 OVER 200 ±0.4	UNIT OF MEASUREMENT	MILLIMETER [ INCH ]	
FINISH	ALL INCH DIMENSIONS ARE REFERENCE ONLY	DO NOT SCALE THIS DRAWING	FILE: EURO-R\777001888	SHEET 1 OF 1
SEE SPECIFICATIONS				

SOURCE DRAWING - FOR REFERENCE ONLY

**TURCK inc**  
*High Technology Sensors and Automation Controls*  
 3000 CAMPUS DRIVE  
 MINNEAPOLIS, MN 55441  
 1-800-544-7769  
 (763) 553-7300  
 (763) 553-0708 fax  
 turck.com